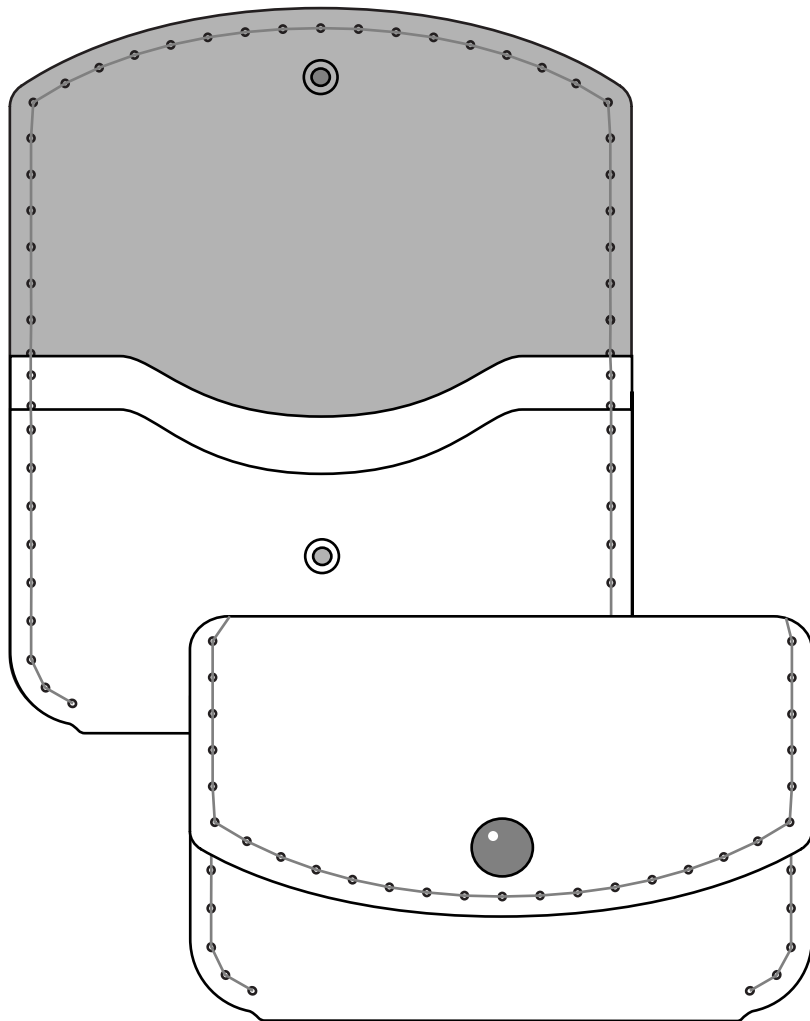


SNAP WALLET

INSTRUCTIONS



BUCKLEGUY

LEATHERCRAFT SUPPLY

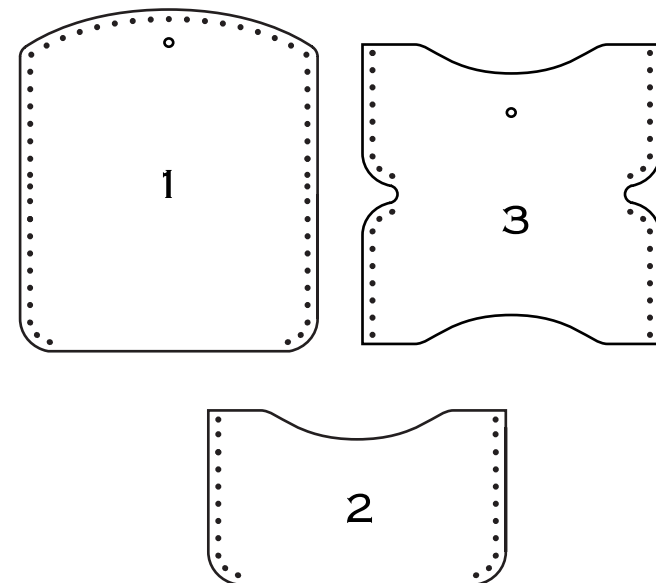
THIS KIT INCLUDES:

STITCHING AND BURNISHING SUPPLIES

- +NEEDLES
- +THREAD: (X1) 50"
- +CANVAS
- +SANDPAPER
- +BEESWAX

LEATHER

1. OUTER
2. INNER POCKET
3. WRAP POCKET





YOU SHOULD KNOW

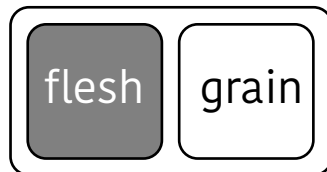


PAPER BINDER CLIPS ARE PERFECT FOR HOLDING LAYERS OF LEATHER TOGETHER WHILE YOU STITCH. THEY SERVE THE PURPOSE OF SEWING PINS.

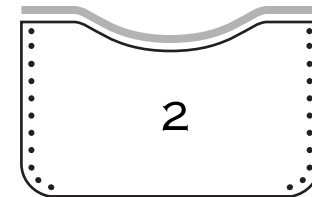
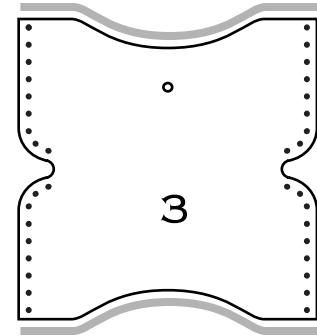
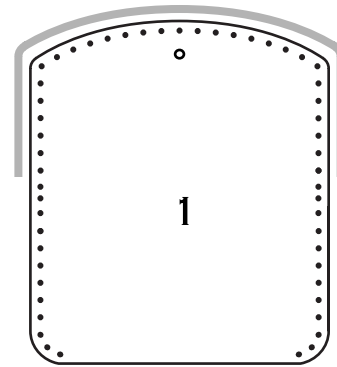
ALL STITCHING START POINTS ARE MARKED WITH A STAR.



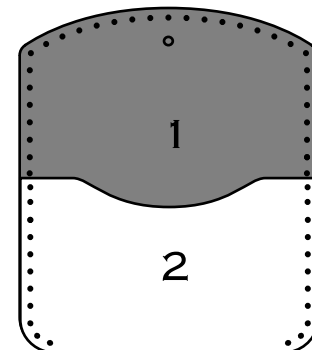
FLESH VS. GRAIN COLORATION



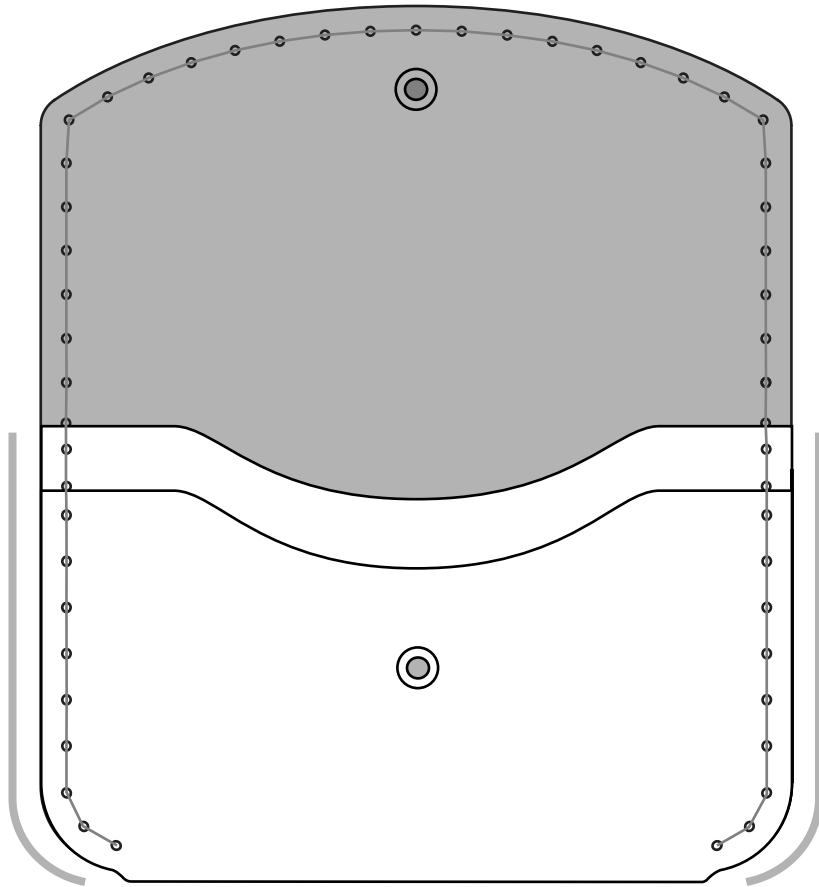
STEP 1: (Optional) Burnish everywhere marked by the grey lines below



STEP 2: Place the inner pocket (2) onto the outer (1) flesh sides together.



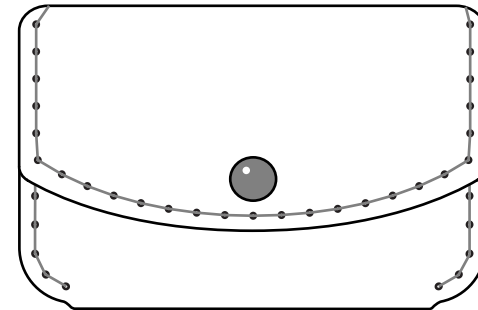
STEP 5: (Optional) Sand and then burnish the edges along the seams marked by the grey lines below.



BUCKLEGUY

LEATHERCRAFT SUPPLY

ALL FINISHED! ENJOY YOUR NEW
SNAP WALLET!



THANKS FROM ALL OF US AT BUCKLEGUY!

SHARE YOUR PROJECTS WITH US ON
SOCIAL MEDIA

BY USING THE HASHTAG #BGKITS



@BUCKLEGUYCOM



@BUCKLEGUY

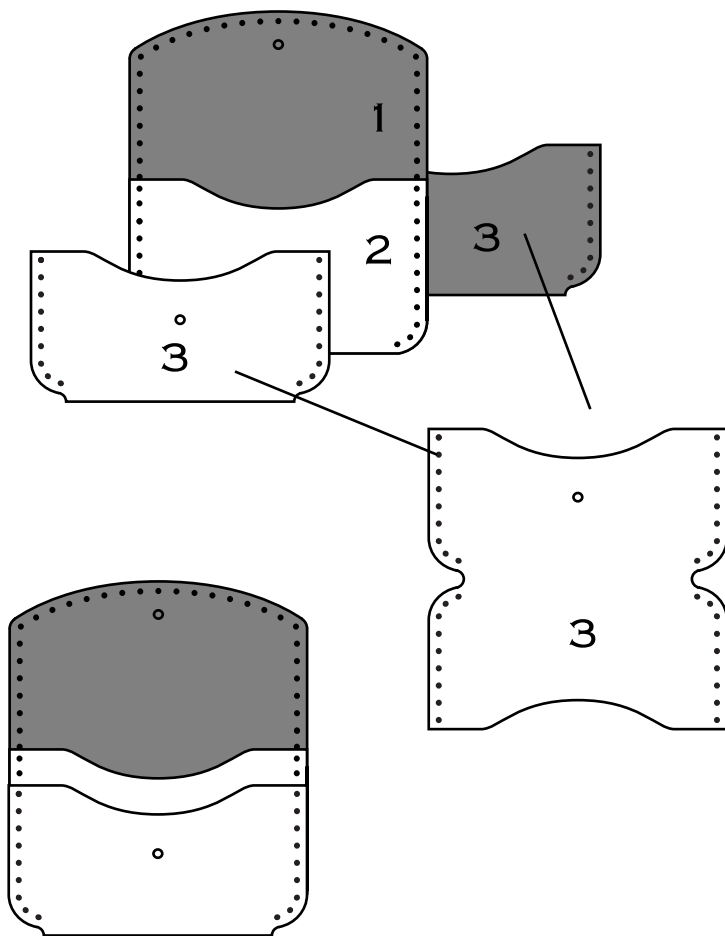


@BUCKLEGUY



@BUCKLEGUY.COM

STEP 3: Fold the wrap pocket (3) in half and sandwich the inner pocket (2) and outer (1) between it.



BUCKLEGUY

LEATHERCRAFT SUPPLY

STEP 4: Saddle stitch all layers of the snap wallet together. Prepare your needles. Begin in the first hole on the bottom left of the wallet. Saddle stitch all the way around the perimeter. When you get to the last hole, back stitch. Pull both needles through toward the back of the wallet. Snip and carefully burn threads.

